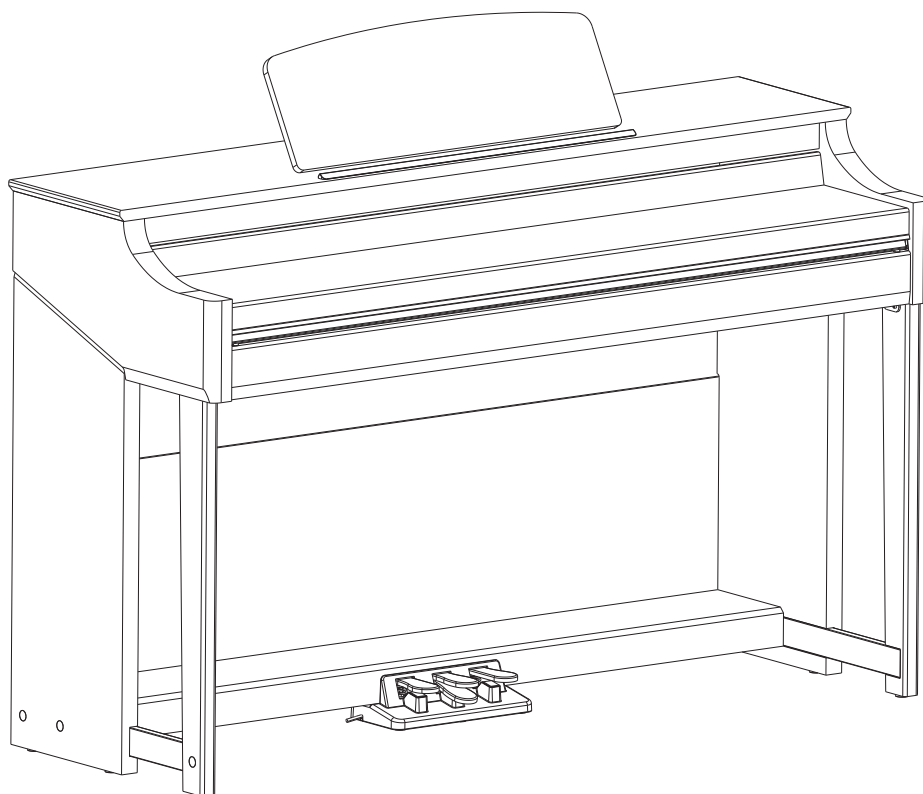
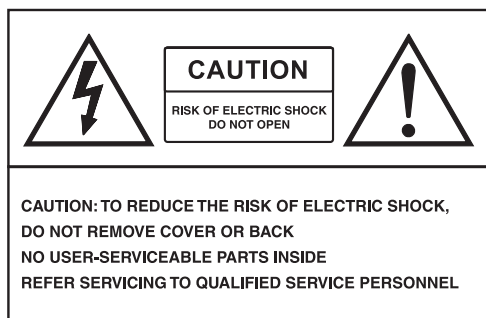


STN-5000
DIGITALNI KLAVIR

Uputstvo za upotrebu





OPREZ: Da biste smanjili rizik od električnog udara, nemojte uklanjati poklopac. Unutra nema rezervnih delova; servisiranje obavlja samo kvalifikovano osoblje.

UPOZORENJE: Da biste smanjili rizik od požara ili strujnog udara, nemojte izlagati ovaj uređaj kiši ili vlazi.



Ovaj simbol, gde god se pojavi upozorava na prisustvo neizolovanog opasnog napona unutar kućišta - napon koji može biti dovoljan da predstavlja rizik od strujnog udara.



Ovaj simbol, gde god se pojavi upozorava na značaj održavanja uređaja i praćenja instrukcija u pratećoj literaturi. Pročitajte uputstvo.

DETALJNA SIGURNOSNA UPUTSTVA

Ne koristite uređaj u blizini vode.

Nemojte nikada dodirivati uređaj mokrim rukama

Čistite uređaj jedino suvom krpom.

Ne postavljajte uređaj u blizini izvora toplote, kao što su radijatori, kaloriferi i ostali grejni aparati (uključujući i pojačala) koja proizvode toplotu.

Obratite pažnju na polarizaciju i uzemljenje utikača.

Pazite da ne nagazite na kabl.

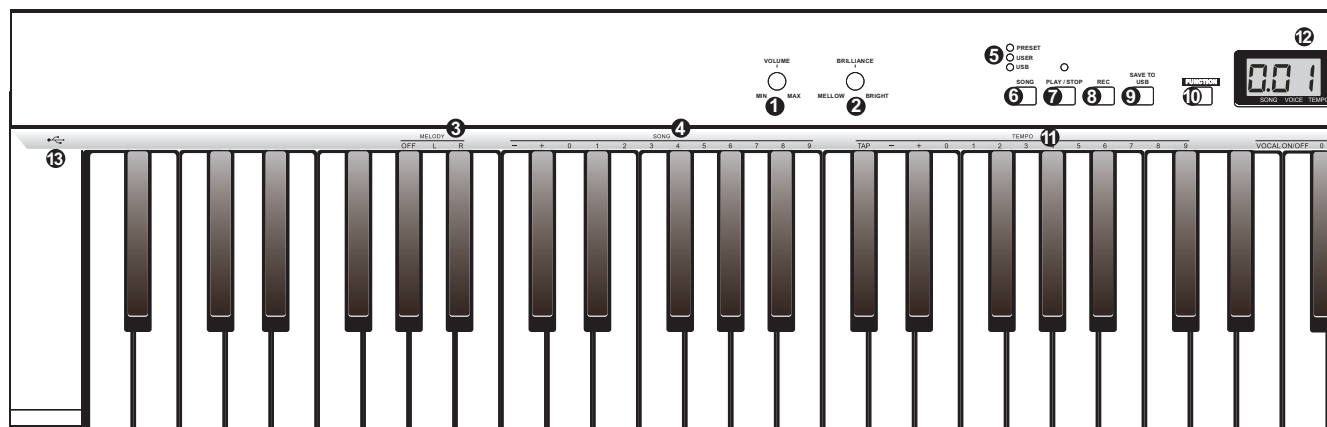
Pažljivo sa prenosom uređaja. Opasnost od prevrtanja.

Isključite uređaj prilikom grmljavine, ili ako se ne koristi duži period.

Servis uređaja prepustite ovlašćenim serviserima. Radi smanjenja rizika od električnog udara, obavljajte samo neophodne zahvate koji su navedeni u ovom uputstvu.

Opis panela

Prednji panel



1. Potencijometar VOLUME

Podešava jačinu zvuka.

2. Potencijometar BRILLIANCE

Podešava glasovni sjaj.

3. MELODY izabrani tasteri

U song režimu, pritisnite i držite [FUNCTION] dugme onda pritisnuti [L] / [R] za izbor vežbanja ruke

4. SONG izabrani tasteri

Pritisnite i držite [FUNCTION] taster onda pritisnite taster u ovom opsegu da biste izabrali pesmu.

5. Indikatori izvora pesama

Pritisnite [SONG] taster da uključite song izvor, odgovarajući indikator će se promeniti.

6. SONG dugme

Unesite režim pesme ili prekidač song izvor.

7. PLAY / STOP dugme

Počnite ili zaustavite reprodukciju pesme.

8. RECORD dugme

Ulazite u režim snimanja.

9. SAVE TO USB dugme

Sačuvajte snimljene podatke na USB fleš disk.

10. FUNCTION dugme

Držite ovo dugme i pritisnite posebne tastere za realizovanje različitih funkcija.

11. PODEŠAVANJE TEMPA taster

Držite pritisnut taster [FUNCTION] i pritisnite taster za podešavanje trenutnog tempa.

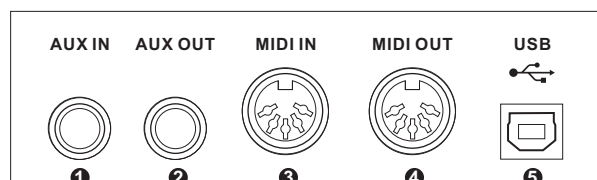
12. LED DISPLEJ

Prikazuje sve važne postavke klavira.

13. USB priključak

Povezivanje sa USB flash diskom.

Zadnji panel



1. LINIJSKI ulaz

Povezivanje sa MP playerom, CD playerom ili sl.

2. LINIJSKI izlaz

Povezivanje sa audio opremom.

3. MIDI ulaz

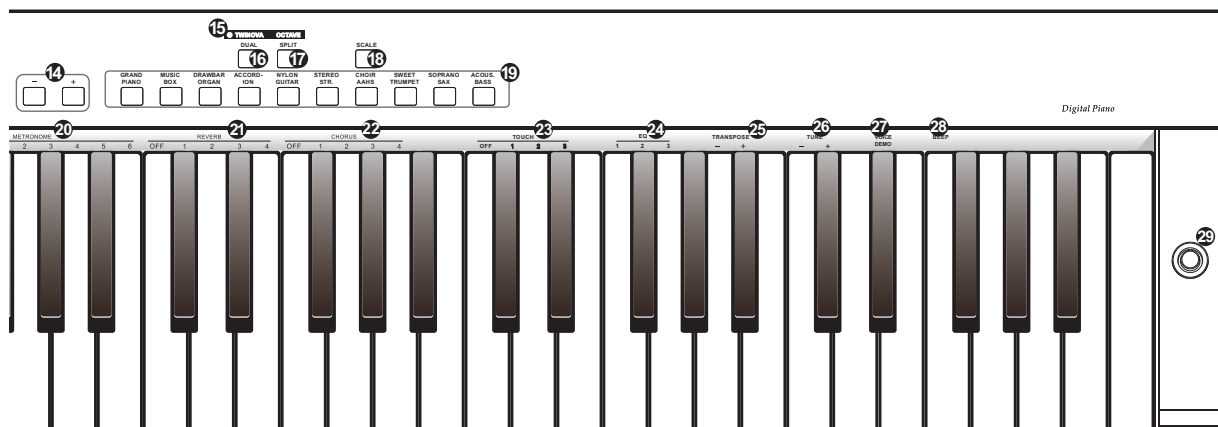
Povežite MIDI drugog uređaja na MIDI IN priključak na zadnjem panelu.

4. MIDI izlaz

Povežite MIDI IN drugog uređaja na MIDI OUT na zadnjem panelu.

5. USB MIDI

Povezivanje sa računarom.



14. [+] / [-] Taster

Podesite parametre.

15. Pokazatelj TWINOVA

Pokazuje da li je sistem u TWINOVA modu ili ne.

16. DUAL dugme

Uključuje ili isključuje dvostruki glas. Pored toga, pritisnite i držite taster [FUNCTION] a zatim pritisnite ovo dugme može da otvori ili zatvori TWINOVA.

17. SPLIT dugme

Okrenite donji glas uključeno ili isključeno. Pored toga, u TWINOVA režimu, pritisnite i držite [FUNCTION] taster i pritisnite ovo dugme da biste ušli u mod za podešavanje TWINOVA oktava.

18. SCALE dugme

Uključuje ili isključuje SCALE funkciju.

19. VOICE SELECT dugme

Izaberite zvuk direktno.

20. METRONOM dugme

Držite pritisnut taster [FUNCTION] i pritisnite [ON / OFF] taster da uključite metronom ON ili OFF. Držite pritisnut taster [FUNCTION] i pritisnite drugi taster da biste izabrali vremenski potpis.

21. REVERB taster

Držite pritisnut taster [FUNCTION] i pritisnite [ON / OFF] taster da uključite reverb efekat ON ili OFF. Držite pritisnut taster [FUNCTION] i pritisnite drugi taster da izaberete tip reverba.

30. SOFT PEDALA

Kada je leva pedala pritisnuta jačina zvuka klavira se smanjuje i boja zvuka je neznatno promenjena na notama koje sviraju.

31. SOSTENUTO PEDALA

Kada je centralna pedala pritisnuta, dirke koji su već pritisnute će nastaviti da održavaju ton i postepeno će se gubiti nakon što su dirke puštene.

32. SUSTAIN PEDALA

Kada je desna pedala pritisnuta dirke će održavati jačinu zvuka i postepeno propadati kada nastavite da držite dirke klavira.

22. CHORUS taster

Držite pritisnut taster [FUNCTION] i pritisnite [ON / OFF] taster da uključite hor efekat ON ili OFF. Držite pritisnut taster [FUNCTION] i pritisnite drugi taster da izaberete tip hora.

23. TOUCH taster

Držite pritisnut taster [FUNCTION] i pritisnite taster da izaberete drugačiji dodir nivoa REVERB-a.

24. EQ taster

Držite [FUNCTION] taster i pritisnite taster da izaberete tip EQ .

25. TRANSPOSE taster

Držite pritisnut taster [FUNCTION] i pritisnite taster za podešavanje TRANSPOSE vrednosti.

26. TUNE taster

Držite pritisnut taster [FUNCTION] i pritisnite taster za podešavanje TUNE vrednosti.

27. DEMO taster

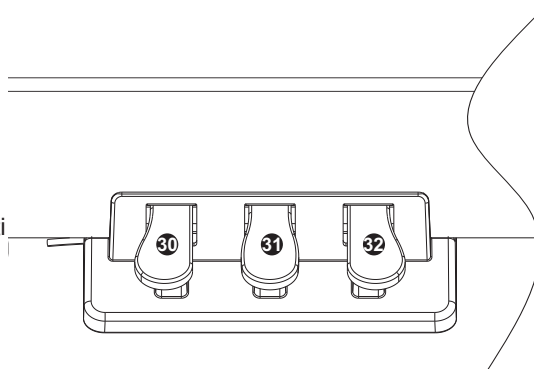
Držite pritisnut taster [FUNCTION] i pritisnite taster da biste pokrenuli ili zaustavili demo pesmu.

28. BEEP taster

Držite pritisnut taster [FUNCTION] i pritisnite taster da okrenete ton ON ili OFF.

29. Prekidač

Uključite ili isključite uređaj.



Lista zvukova

Panel Voice List			
No.	Pro.	Bank	English Name
1	0	100	Grand Piano
2	1	100	Grand Piano 2
3	4	1	Ele. Piano
4	5	100	Ele. Piano 2
5	6	100	Harpsichord
6	6	1	Harpsichord (with key off)
7	7	1	Clavichord
8	10	1	Music Box
9	11	100	Vibraphone
10	12	1	Marimba
11	16	1	Drawbar Organ
12	17	1	Percussive Organ
13	19	100	Church Organ
14	19	1	Church Organ 2
15	18	1	Reed Organ
16	18	100	Rock Organ
17	21	1	Accordion
18	22	1	Harmonica
19	24	1	Acoustic Guitar (nylon)
20	25	1	Acoustic Guitar (steel)
21	27	1	Electric Guitar (clean)
22	40	1	Violin
23	42	1	Cello
24	48	100	Stereo Strings
25	49	100	Stereo Strings 2
26	50	1	Synth Strings
27	51	1	Synth Strings 2
28	52	1	Choir Aahs
29	53	1	Voice Oohs
30	56	100	Sweet Trumpet
31	61	1	Brass
32	64	100	Soprano Sax
33	66	1	Tenor Sax
34	71	1	Clarinet
35	68	100	Sweet Oboe
36	73	1	Sweet Flute
37	75	1	Pan Flute
38	32	1	Acoustic Bass
39	33	1	Ele. Bass
40	36	1	Slap Bass

GM Voice List			
No.	Pro.	Bank	English Name
Piano			
1	0	0	Acoustic Grand Piano
2	1	0	Bright Acoustic Piano
3	2	0	Electric Grand Piano
4	3	0	Honky-tonk Piano
5	4	0	Electric Piano 1
6	5	0	Electric Piano 2
7	6	0	Harpsichord
8	7	0	Clavi
Chromatic Percussion			
9	8	0	Celesta
10	9	0	Glockenspiel
11	10	0	Music Box
12	11	0	Vibraphone
13	12	0	Marimba
14	13	0	Xylophone
15	14	0	Tubular Bells
16	15	0	Dulcimer
Organ			
17	16	0	Drawbar Organ
18	17	0	Percussive Organ
19	18	0	Rock Organ
20	19	0	Church Organ
21	20	0	Reed Organ
22	21	0	Accordion
23	22	0	Harmonica
24	23	0	Tango Accordion
Guitar			
25	24	0	Acoustic Guitar (nylon)
26	25	0	Acoustic Guitar (steel)
27	26	0	Electric Guitar (jazz)
28	27	0	Electric Guitar (clean)
29	28	0	Electric Guitar (muted)
30	29	0	Overdriven Guitar
31	30	0	Distortion Guitar
32	31	0	Guitar Harmonics
Bass			
33	32	0	Acoustic Bass
34	33	0	Electric Bass (finger)
35	34	0	Electric Bass (pick)
36	35	0	Fretless Bass
37	36	0	Slap Bass 1
38	37	0	Slap Bass 2
39	38	0	Synth Bass 1
40	39	0	Synth Bass 2
Strings & Orchestral Instruments			
41	40	0	Violin
42	41	0	Viola
43	42	0	Cello
44	43	0	Contrabass
45	44	0	Tremolo Strings
46	45	0	Pizzicato Strings
47	46	0	Orchestral Harp

Lista zvukova

48	47	0	Timpani
Ensemble			
49	48	0	String Ensembles 1
50	49	0	String Ensembles 2
51	50	0	Synth Strings 1
52	51	0	Synth Strings 2
53	52	0	Choir Aahs
54	53	0	Voice Oohs
55	54	0	Synth Voice
56	55	0	Orchestra Hit
Brass			
57	56	0	Trumpet
58	57	0	Trombone
59	58	0	Tuba
60	59	0	Muted Trumpet
61	60	0	French Horn
62	61	0	Brass Section
63	62	0	Synth Brass 1
64	63	0	Synth Brass 2
Reed			
65	64	0	Soprano Sax
66	65	0	Alto Sax
67	66	0	Tenor Sax
68	67	0	Baritone Sax
69	68	0	Oboe
70	69	0	English Horn
71	70	0	Bassoon
72	71	0	Clarinet
Pipe			
73	72	0	Piccolo
74	73	0	Flute
75	74	0	Recorder
76	75	0	Pan Flute
77	76	0	Blown Bottle
78	77	0	Shakuhachi
79	78	0	Whistle
80	79	0	Ocarina
Synth Lead			
81	80	0	Lead 1 (square)
82	81	0	Lead 2 (sawtooth)
83	82	0	Lead 3 (calliope)
84	83	0	Lead 4 (chiff)
85	84	0	Lead 5 (charang)
86	85	0	Lead 6 (voice)
87	86	0	Lead 7 (fifths)
88	87	0	Lead 8 (bass + lead)
Synth Pad			
89	88	0	Pad 1 (new age)
90	89	0	Pad 2 (warm)
91	90	0	Pad 3 (polysynth)
92	91	0	Pad 4 (choir)
93	92	0	Pad 5 (bowed)
94	93	0	Pad 6 (metallic)
95	94	0	Pad 7 (halo)
96	95	0	Pad 8 (sweep)

Synth SFX			
97	96	0	FX 1 (rain)
98	97	0	FX 2 (soundtrack)
99	98	0	FX 3 (crystal)
100	99	0	FX 4 (atmosphere)
101	100	0	FX 5 (brightness)
102	101	0	FX 6 (goblins)
103	102	0	FX 7 (echoes)
104	103	0	FX 8 (sci-fi)
Ethnic Misc.			
105	104	0	Sitar
106	105	0	Banjo
107	106	0	Shamisen
108	107	0	Koto
109	108	0	Kalimba
110	109	0	Bag Pipe
111	110	0	Fiddle
112	111	0	Shanai
Percussive			
113	112	0	Tinkle Bell
114	113	0	Agogo
115	114	0	Steel Drums
116	115	0	Woodblock
117	116	0	Taiko Drum
118	117	0	Melodic Tom
119	118	0	Synth Drum
120	119	0	Reverse Cymbal
SFX			
121	120	0	Guitar Fret Noise
122	121	0	Breath Noise
123	122	0	Seashore
124	123	0	Bird Tweet
125	124	0	Telephone Ring
126	125	0	Helicopter
127	126	0	Applause
128	127	0	Gunshot
Drums			
129	0	N/A	Standard Set
130	8	N/A	Room Set
131	16	N/A	Power Set
132	24	N/A	Electronic Set
133	25	N/A	Analog Set
134	32	N/A	Jazz Set
135	40	N/A	Brush Set
136	48	N/A	Orchestra Set
137	56	N/A	SFX Set

Lista pesama

Br	Puno ime
1	Waltz in A Flat Op.39, No.15
2	The Happy Farmer
3	Etude
4	Dance Of The Four Swans From "Swan Lake"
5	Carmen Suite No.2 Habanera
6	A Little Polish Dance
7	Jesus Saviour Pilot Me
8	Old Macdonald Had A Farm
9	O Sole Mio
10	Wedding March From "Lohengrin"
11	2-Part Invention No.13 In A Minor BWV 784
12	Turkish March
13	Italian Polka
14	Musette
15	Bourree
16	To A Wild Rose
17	Away In A Manger
18	Fur Elise
19	Marriage Of Figaro
20	Angels We Have Heard On High
21	Waltz
22	America The Beautiful
23	Did You Ever See A Lassie
24	Arabesque
25	Old France
26	Santa Claus Is Coming To Town
27	Music Box Dancer
28	Symphony No.9 In E Minor Large From "The New World"
29	Larghetto
30	French Suites

31	Mazurka
32	Minuet 1
33	Minuet 2
34	Minuet 3
35	Minuet In G
36	Neapolitan Song
37	Prelude
38	Salut D' Amour
39	Pizzicato Polka
40	Piano Sonata No.11 in A major K331 I. Andante grazioso
41	Songs Without Words Op30 No .6 F sharp minor Venetian Gondola Song
42	Duke Aria From "The Rigoletto"
43	Burgmuller Op.100 No.15 - Ballade
44	Spinning Song
45	In The Theatre
46	Alfredo and Violetta Column Tower Duet
47	Come Back To Sorrento
48	Piano Sonatina In F Major
49	Tchaikovsky Waltz
50	Military March No.1 In D Major
51	Als Die Alte Mutter Mich Noch lehrte Singen
52	Etude on Leger Lines 1
53	Etude on Leger Lines 2
54	At the Ball
55	Dancing Raindrops
56	From a Story Book
57	Comin' 'Round the Mountain
58	Song of the Brook
59	Puck
60	Cotton-pickin' Fingers

Specifikacija

KLAVIJATURA

88 - Hammer-action dirki

POLIFONIJA

128

ZVUKOVI

40

GM ZVUKOVI

128 i 9 setova bubnjeva

DEMO ZVUK

40

PESME

60

TEMPO

30-280

KONTROLNO DUGME

Function, Song, Play/Stop, Rec, Voice Direct Select, Save to USB, +/-, Dual, Lower, Power On/Off switch, Volume, Brilliance, SCALE.

KONTROLNI TASTERI

Control Key Tempo Tap, Tempo +/-, Tempo select keys, Metronome Vocal, Metronome On/Off, Metronome select keys, Reverb On/Off, Reverb Type Select Keys, Chorus On/Off, Chorus Type Select Keys, Touch On/Off, Touch Select Keys, Transpose, Tune, Beep, Melody off, Melody +/-, Song +/-, Song select keys EQ Type Select Keys, Voice Demo.

KONEKTORI

DC IN, Slušalice, Audio izlaz, Audio ulaz, USB priključak, MIDI ulaz, MIDI izlaz, pedale (sustain, soft, sostenuto).

NAPAJANJE

AC 220~240V, 50Hz, 60W

ZVUČNICI

8Ω 20W X 2

8Ω 25W X 2

DIMENZIJE

1398x514x908 mm

TEŽINA

58 kg

MIDI Lista implementacija

Funkcija		Prenosi	Prepoznavanje	Primedbe
Basic Channel	Default Changed	1ch 1-16ch	ALL 1-16ch	
Mode	Default Messages Altered	x x *****	3 3 x	
Note Number	Note :True voice	0—127 *****	0—127 0—127	
Velocity	Note on Note off	o 9nH,V=1-127 x (9nH,V=0)	o 9nH,V=1-127 o(9nH,V=0; 8nH,V=0-127)	
After Touch	key's Ch's	x x	x x	
Pitch Bend		x	o	
Control Change	0 1 5 6 7 10 11 64 65 66 67 80 81 91 93 120 121 123	o x x o o x x o x o o x x o o x x o	o o o o o o o o o o o o o o o o o	Bank Select Modulation Portamento Time Data Entry Volume Pan Expression Sustain Pedal Portamento ON/OFF Sostenuto Pedal Soft Pedal Reverb Program Chorus Program Reverb Level Chorus Level All Sound Off Reset All Controllers All Notes Off
Program Change	:true	o *****	o 0—127	
System Exclusive		x	o	
System Common	:SongPosition :Song Select :Tune	x x x	x x x	
System Real Time	:Clock :Commands	o x *1	x x *1	
Aux Messages	:LOCAL ON/OFF :All Notes Off :Active sense :Reset	x o o x	x o o o	
Notes:				

- Mode 1: OMNI ON, POLY
- Mode 2: OMNI ON, MONO

- Mode 3: OMNI OFF, POLY
- Mode 4: OMNI OFF, MONO

- o: YES
- x: NO